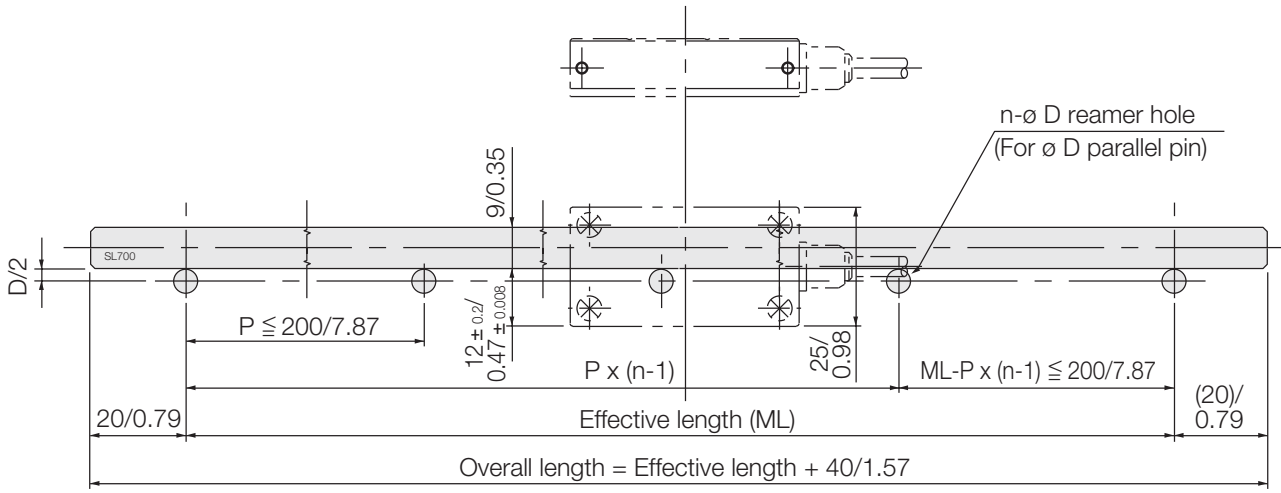
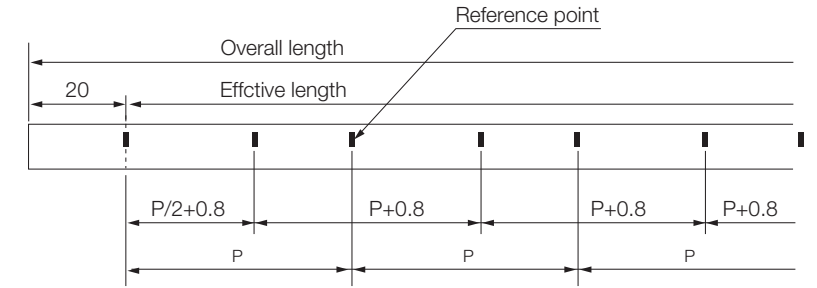


Dimensions



Reference mark



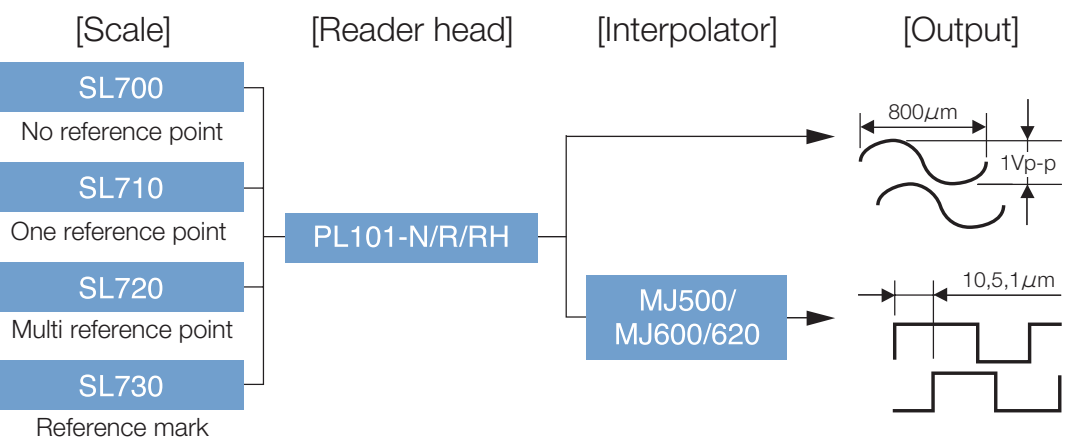
Reference mark pitch(p)	Effective length (mm)
80 mm	200 < ML ≤ 2,000
160 mm	2,000 < ML ≤ 12,000
320 mm	12,000 < ML ≤ 56,000
480 mm	56,000 < ML ≤ 100,000

Unit : mm/inch

*Scale thickness 0.3 mm max. (Include double stick tape)

*Mount the scale on the non-magnetic material. When mounting on a magnetic material, insert a non-magnetic layer with a thickness of at least 3mm.

Configurations



The relation of Effective length (L) and factor N

L : m	N	L : m	N	L : m	N	L : m	N
3 < ML ≤ 5.5	1	28 < ML ≤ 30.5	11	53 < ML ≤ 55.5	21	78 < ML ≤ 80.5	31
5.5 < ML ≤ 8	2	30.5 < ML ≤ 33	12	55.5 < ML ≤ 58	22	80.5 < ML ≤ 83	32
8 < ML ≤ 10.5	3	33 < ML ≤ 35.5	13	58 < ML ≤ 60.5	23	83 < ML ≤ 85.5	33
10.5 < ML ≤ 13	4	35.5 < ML ≤ 38	14	60.5 < ML ≤ 63	24	85.5 < ML ≤ 88	34
13 < ML ≤ 15.5	5	38 < ML ≤ 40.5	15	63 < ML ≤ 65.5	25	88 < ML ≤ 90.5	35
15.5 < ML ≤ 18	6	40.5 < ML ≤ 43	16	65.5 < ML ≤ 68	26	90.5 < ML ≤ 93	36
18 < ML ≤ 20.5	7	43 < ML ≤ 45.5	17	68 < ML ≤ 70.5	27	93 < ML ≤ 95.5	37
20.5 < ML ≤ 23	8	45.5 < ML ≤ 48	18	70.5 < ML ≤ 73	28	95.5 < ML ≤ 98	38
23 < ML ≤ 25.5	9	48 < ML ≤ 50.5	19	73 < ML ≤ 75.5	29	98 < ML ≤ 100	39
25.5 < ML ≤ 28	10	50.5 < ML ≤ 53	20	75.5 < ML ≤ 78	30		