



BEST WEIGHT TO POWER RATIO IN THE WORLD



CP SERIES CP200DS

Small Focal Spot Constant Potential Portable X-Ray Generators



TELEDYNE ICM
Everywhereyoulook™

Part of the Teledyne Imaging Group

Your inspection becomes a walk in the park



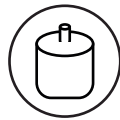
LIGHT-WEIGHT



100% DUTY CYCLE



CONSTANT
POTENTIAL



METAL CERAMIC
X-RAY TUBE



RUGGEDIZED



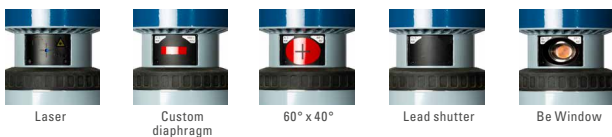
WIDE INPUT
POWER RANGE

FEATURES

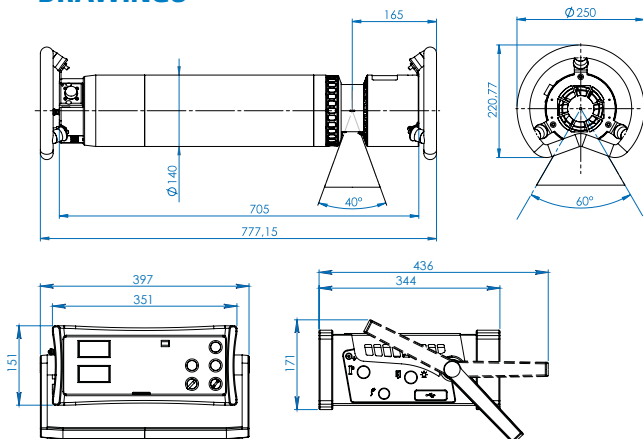
	Unit	SITEX CP200DS
Beam	-	Directional
Power supply	-	Mains
Output voltage range	kV	10 to 200
Tube current range	mA	0.5 to 10
Tube current at full output	mA	3.7
Maximum power at the anode	W	750
Constant power mode	-	Yes
Working cycle at 30°C (*)	%	100
Steel penetration (**)	mm/in	40 / 1.57
Weight	Kg/lbs	15.9 / 35.05
Overall dimensions (without guard rings)	mm/in	Ø 140 x 705 / 5.51 x 27.75
Leakage dose at 1 m at full output	mSv/h	< 2.0
Optical focal spot according to EN 12543	mm	1
Maximum useful angle	°	60° x 40°
Inherent filtration	mm	0.8 mm Be
Waterproof level	-	IP65
Operating temperature	°C/°F	-30 to +60 / -22 to +140
Storage temperature	°C/°F	-40 to +70 / -40 to +158

(*) Open air - airstream 5m/sec.

(**) 700 mm FFD, 10 min., AA400, D=2 for CPD



DRAWINGS



All specifications are non contractual and subject to change without prior notice.

TELEDYNE ICM

Zoning Les Plenesses / Rue Du Progrès 3 / B-4821 Andrimont (Dison) - Belgium
+32 (0)87 44 01 50 / icm.sales@teledyne.com

POWERBOX

	Unit	POWERBOX
Adjustable pre-warming time	sec	3 to 99
Pilote light indicator	-	3
Independent START and STOP	-	Yes
Two-position safety key rotary switch	-	X-ray ON / STANDBY
Preheating is function of selected kVs (kV max by default)	-	Automatic
Exposure time calculator	-	Optional
Programmable safety interlocks	-	3
Clear indication of the precise carousel system position	-	Yes
Type of power supply	-	Mains, Power generator, Battery (option)
Supply voltage range	VAC	From 90 to 264
Supply frequency range	Hz	From 45 to 66
Input power factor when at full output	%	99
Input current at full power, 230 VAC	A	6.0
Storage ambient temperature range	°C/°F	-40 to +70 / -40 to 158
Working ambient temperature range	°C/°F	-30 to +55 / -22 to 131
Protection Class	-	IP65
Weight	Kg/lbs	7.9 / 17.4



ACCESSORIES

Quadripod	Transport case
Holding bars	Flashing light
Tripod	Diaphragms
Pipe slider	Reinforced cable
Alucase	Tripod flashing light
Battery converter	



TELEDYNE ICM
Everywhere you look™

Part of the Teledyne Imaging Group