



# THE ULTIMATE X-RAY SOLUTION



## POWERBOX

CP Series' Control Unit



FOR MORE INFORMATION, VISIT OUR WEBSITE



**TELEDYNE ICM**  
Everywhere you look™

Part of the Teledyne Imaging Group

## CP Series' Control Unit



WIDE POWER INPUT



STATE-OF-THE-ART EQUIPMENT



BLUETOOTH



RUGGEDIZED



EXPOSURE TIME CALCULATOR



AUTOMATIC PREHEATING

### FEATURES

	Unit	POWERBOX
kV, mA and time settings steps	kV, mA, sec	1, 0.1, 1
Exposure time range	min, sec	1 sec to 99 min 59 sec
Constant power mode	-	Yes
Adjustable pre-warning time	sec	3 to 99
Pilot light indicators (Power ON, X-ray ON, Securities)	-	3
Independent 'START' and 'STOP' push buttons	-	Yes
Two position safety key rotary switch	-	X-ray ON / STANDBY
Two position main rotary switch	-	Mains ON / OFF
Dual high brightness graphic Vacuum Fluorescent Displays (VFD)	-	2 (off) 64 pixels x 128 pixels each
Total number of languages, including Chinese, Japanese & Russian	-	19
Polyester alphanumeric keypad with sensory touch and sound effect	-	Yes
Preheating is function of selected kVs (kV max by default)	-	Fully automatic
Exposure time calculator (material, FFD, film, density, kV, mA, time)	-	Standard
User-defined data enabling exposure time calculation	-	Standard
Programmable safety interlocks	-	3
Side panel USB port to enable monitoring and software update	-	1
Clear indication of the precise carousel system position	-	Lead cap, laser pointer, Be window, Al filter, custom diaphragm
Type of power supply	-	Mains, generator, battery (option)
Supply voltage range – SELECTOR FREE – Auto resettable fuses	VAC	From 90 to 264
Supply frequency range – SELECTOR FREE	Hz	From 45 to 66
Input power factor when at full output	%	99
Input current at full power, 230 VAC	A	6.0
Storage temperature	°C / F°	-40 to +70 / -104 to +158
Operating temperature	°C / F°	-30 to +55 / -86 to +131
Protection class	-	IP65
Weight	Kg / lbs	7.9 / 17.42

### 'PLUG & PLAY' CONTROL UNIT

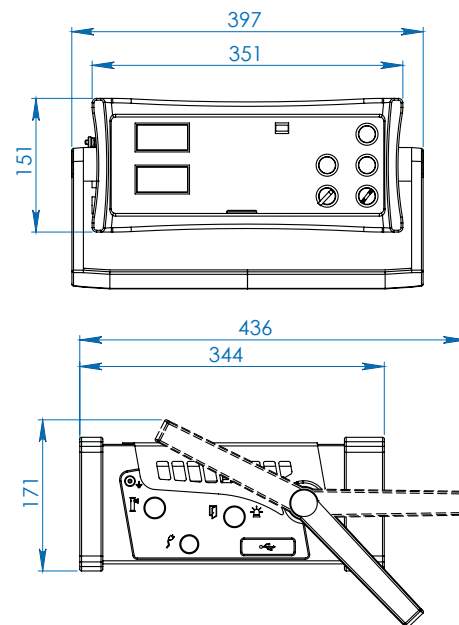
The **POWERBOX** control unit is not a minor component of the new system. It is one of the best!

Its broader power range (from 90V to 264 VAC) voltage selector free means that this small and robust control unit will operate from practically any mains power network worldwide.

Alternatively, its 0.99 power factor means it can operate from any of the most commonly used light and low power generating sets available on the market.

Indeed, it will even be possible for the **POWERBOX** to take its energy from a car battery by simply using a small additional DC/AC converter

### DRAWINGS



### OPTIONAL ACCESSORIES

- External fail-safe audible / flashing warning system
- External fail-safe flashing warning system
- "STORMCASE" transport system
- 20 m / 65.62 ft extension interconnection cable (up to 5x to reach 100 m / 328.08 ft)
- Single interconnection cable customized up to 100 m / 328.08 ft in length
- 10 m / 32.81 ft interlock cable for 3 door programmable contacts
- 1.5 m / 4.92 ft USB cable to enable monitoring and software upgrade
- Car battery / 230 VAC converter
- Exposure time calculator software

All specifications are non contractual and subject to change without prior notice.

#### TELEDYNE ICM

Zoning Les Plenesses / Rue Du Progrès 3 / B-4821 Andrimont (Dison) - Belgium

+32 (0)87 44 01 50 / icm.sales@teledyne.com

[FOR MORE INFO, VISIT OUR WEBSITE](#)



**TELEDYNE ICM**  
Everywhereyoulook™

Part of the Teledyne Imaging Group