

PORTABLE MEASURING MACHINE SPACE Plus

Datasheet

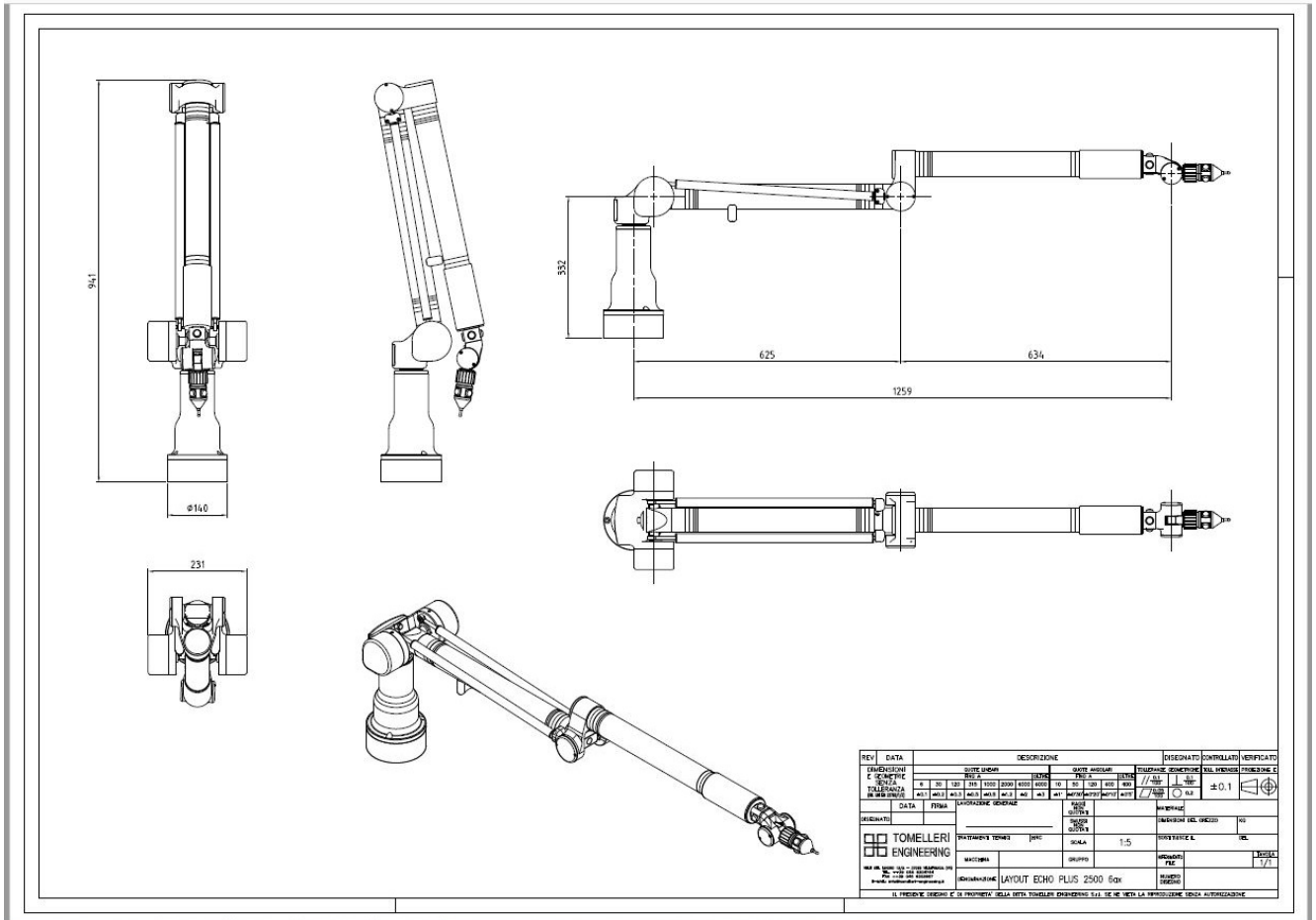
Rev.: 1



MACHINE DATA	
Machine	Portable measuring machine
Model	SPACE Plus 6-7 axes
Power supply	100 - 240V / 50 Hz - 60 Hz
Protection	IP 54
Operating conditions	+5° to +40°C Humidity 85% without condensing

Each measuring machine is certified following the ISO 10360-2 procedure.

SPACE serie PLUS (6 and 7 axes arms) *=2 sigma error (mm)					
SPACE Plus		Measuring range	Volumetric accuracy*	Point Repeatability*	Weight (Kg)
SPACE PLUS 1.8	6 Axes	1800mm	0,020	0,012	8,4
SPACE PLUS 2.5		2500mm	0,026	0,016	8,9
SPACE PLUS 3.2		3200mm	0,036	0,020	9,3
SPACE PLUS 4.0		4000mm	0,046	0,024	10,0
SPACE PLUS 1.8	7 Axes	1800mm	0,027	0,017	8,9
SPACE PLUS 2.5		2500mm	0,034	0,021	9,4
SPACE PLUS 3.2		3200mm	0,045	0,026	9,8
SPACE PLUS 4.0		4000mm	0,056	0,030	10,5



© Copyright **Tomelleri Engineering S.r.l.** 2016

Aknowledgements:.....This documentation may refer to some trademarks, Microsoft® and Windows® are registered trademarks of Microsoft Corporation in the United States and other countries. Renishaw® is a registered trademark of Renishaw plc.

All right reserved:.....No part of this document may be photocopied, reproduced, or translated into another language without the prior written consent to Tomelleri Engineering S.r.l.

Warning:..... The informations contained in this document are subject to change without notice, Tomelleri Engineering S.r.l. reserves this right to improve over time the specifics of the technical documentation provided to the user.

Note:.....The technical characteristics of the machine should not be considered binding, we reserve the right to make changes to improve product quality and technical performance.

Attention:..... **Before you move, install, start, operate and dismantle the machine, you must have understood and have followed the conditions specified in the various chapters of this documentation. Any indication that was not followed or understood, in case of malfunction or damage to persons or property not involves the direct responsibility of the manufacturer.**